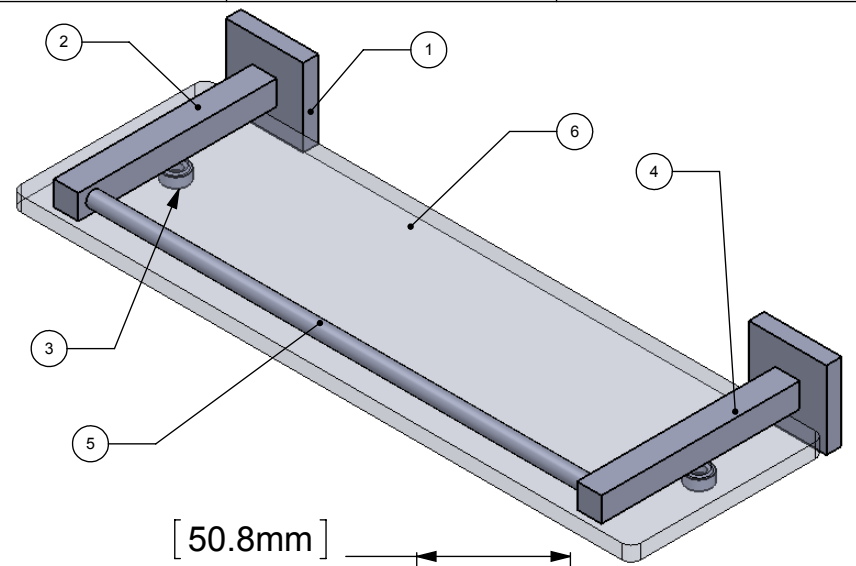
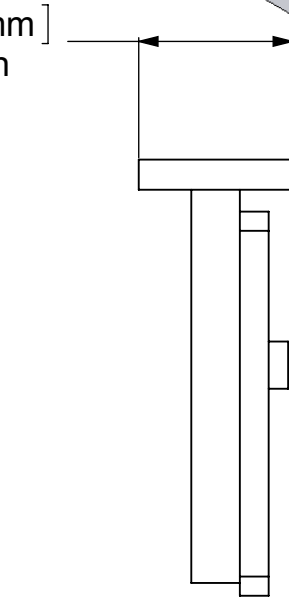
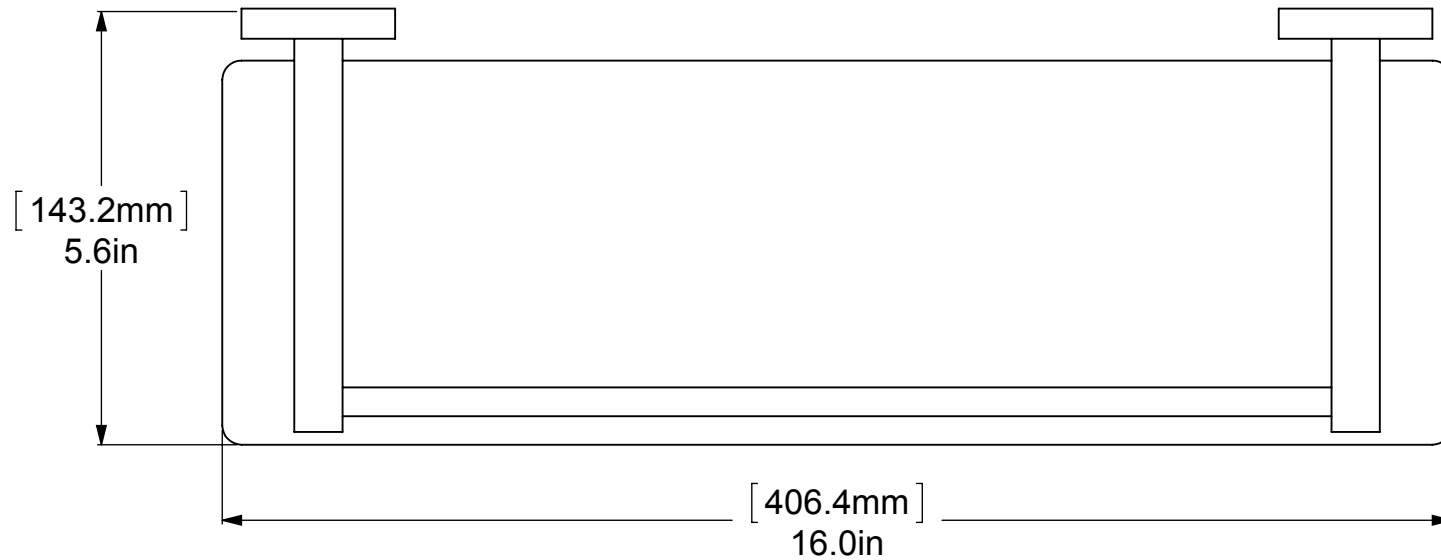


ITEM NO.	P/N	Description	QTY.
1	BPSQ	BACKPLATE	2
2	SHSQL-5	Neck Left	1
3	CARD-58	LOCK	2
4	SHSQR-5	Neck Right	1
5	TU38-18	TUBE	1
6	GLRT-16	GLASS	1



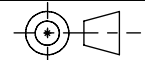
[50.8mm]
2.0in



UNLESS OTHERWISE STATED

.X	$\pm .3\text{mm}$
.XX	$\pm .15\text{mm}$
.XXX	$\pm .008\text{mm}$

COPYRIGHT © Allied Brass 2016



THIRD ANGLE PROJECTION

DRAWN	4/29/2016	I.M
CHECKED	4/29/2016	P.D
APPROVED	4/29/2016	R.A

MATERIAL:	BRASS	
DESCRIPTION:	SHELF	

FINISH	TBD		
QUANTITY	TBD		
DRAWING No.		REV	
MT1-16-GAL		0	
SCALE	1:2.5	SHEET: 01	A4